

Spatial computer model with illustration of vibration of the internal containers due to earthquake

Coldbox Yanbu-L

Construction of an air separating system

Dimensions L x B x H: 5,6 x 5,6 x 28,1 m

Fabrication in Bremen, Germany

Location of installation: Saudi-Arabien

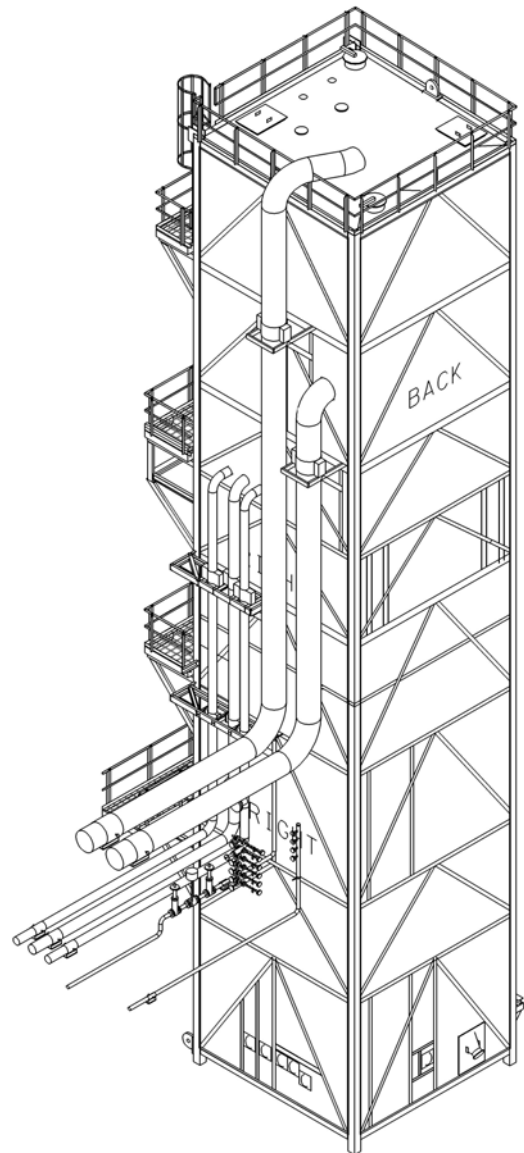
Client:

Linde Engineering Division Munich

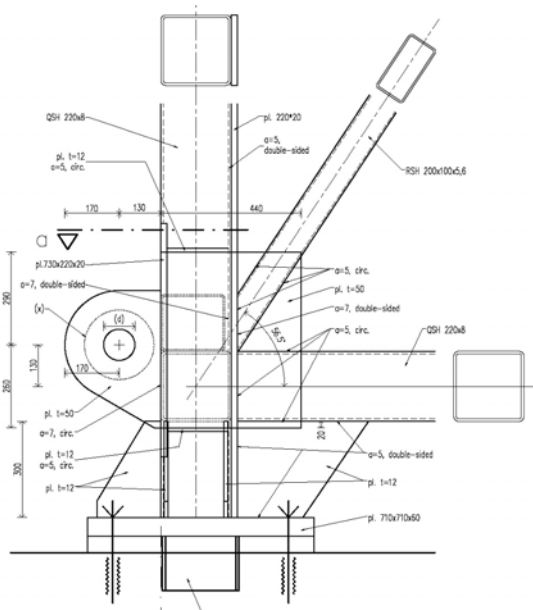
Services:

Structural Engineering of the spatial steel construction with vibration and earthquake analysis of the main structure and the secondary elements like pipes, vessels and containers

Consideration of many different load cases such as wind, earthquake, transport by truck or ship, silo pressure and installation conditions



Isometric view with pipes and working platforms



Detail of fixing element on foundation with mounting link for the crane